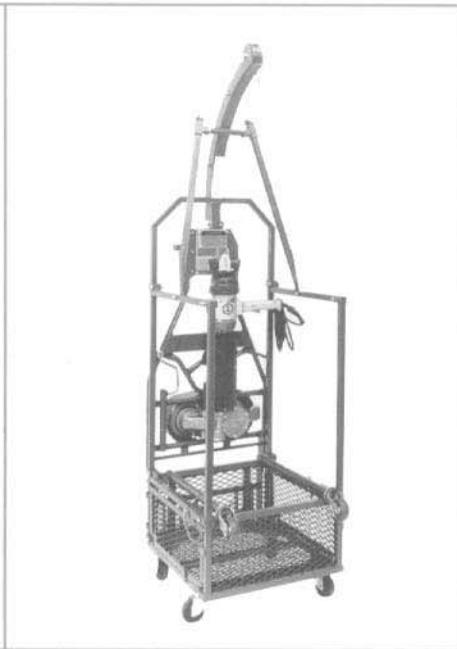


STANDARD WORK CAGE
Model WC-36

Rated: 750 lbs.
Weight: 165 lbs.
Dimensions: 87"x 36"x 36"
Part No. 245-WC-36



FOLD DOWN WORK CAGE
Model WCFD

Rated: 500 lbs.
Weight: 130 lbs.
Dimensions: 87"x 24"x 24"
Dim. Folded: 87"x 24"x 12"
Part No. 245-WCFD



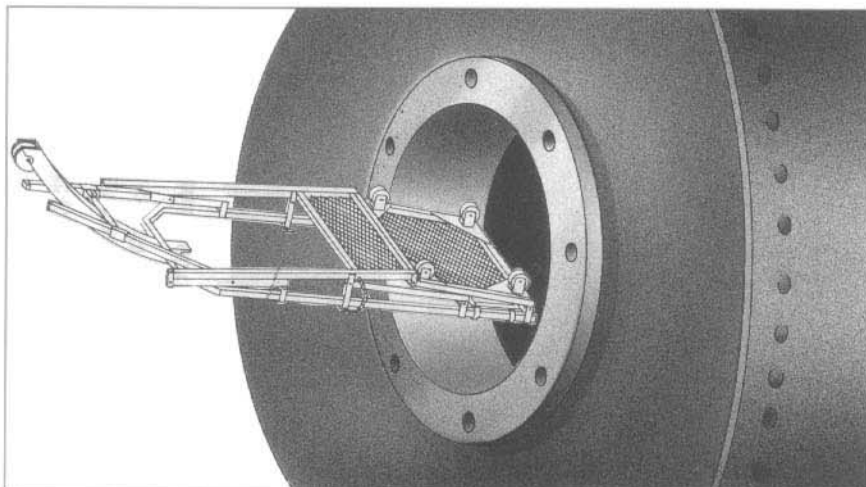
TWO MAN UTILITY & MINING CAGE
Meets MESA and OSHA Requirements

Designed to be rigged and in operation in minutes to carry your maintenance personnel to any trouble spot. These specially designed and engineered two-man work cages have perfect balance and stability. They provide complete versatility, reliability and maximum strength.
Part No. 245-MWC-36 Mining Cage
Part No. 245-MWC-2M Two Man Utility Cage

The HI-LO **Standard Work Cage** (MODEL WC-36) shown above is a single point suspension work cage designed with the workmen in mind. The HI-LO CLIMBERS Model D-800 powered hoist is mounted at the rear of the cage to provide the worker maximum working area. The front guardrail is adjustable to allow needed access to any job. The top fairlead sheave has been positioned for maximum stability and comfort to the worker. Four rugged casters on

the bottom make ground transfer easy. Roller bumpers are included to prevent damage to the work area during vertical travel.

The HI-LO CLIMBERS **Fold Down Work Cage**, as shown, is powered by a HI-LO Model DF-24. When folded down the work cage will fit through a 12" x 24" opening. As with the standard work cage, the safety and comfort of the worker have been taken into consideration in the design.



INDEPENDENT SECONDARY SAFETY STIRRUP

Our Independent Secondary Safety Stirrup provides additional stability and safety. The "A" frame equipped with an overspeed brake assembly provides a four point suspension system to the swing stage. Part No. 280-500